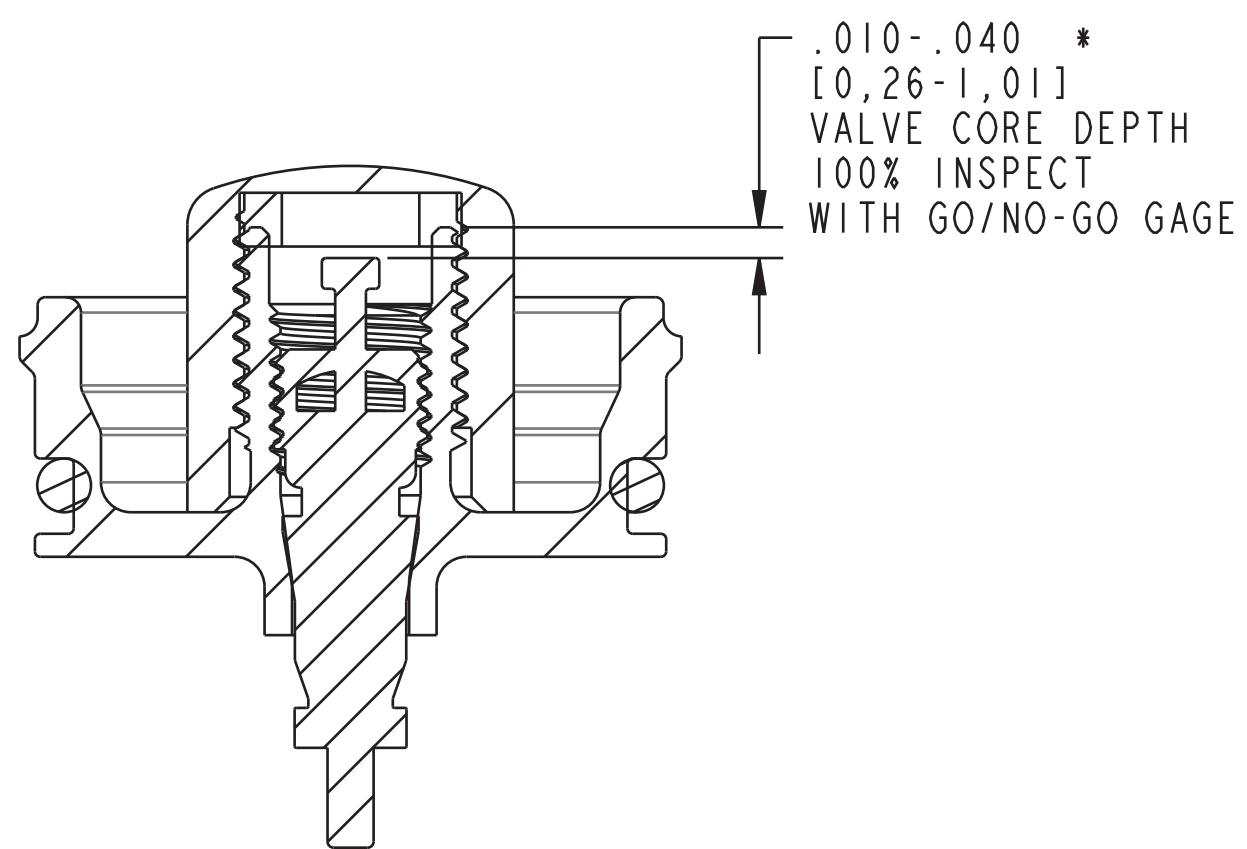


4

3

2

1

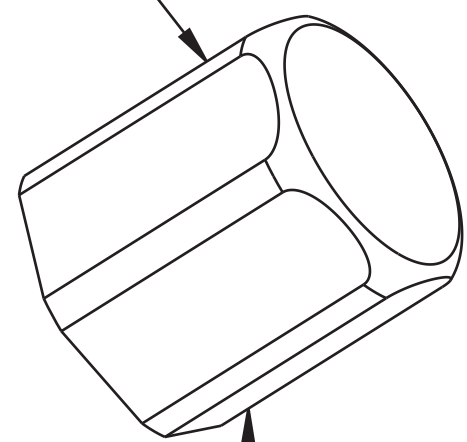


SECTION A-A
SCALE 4:1

TORQUE:
8±2 IN.LB.

GREASE:
THIN LAYER
OF SLICK HONEY

GREASE:
THIN LAYER
OF SLICK HONEY



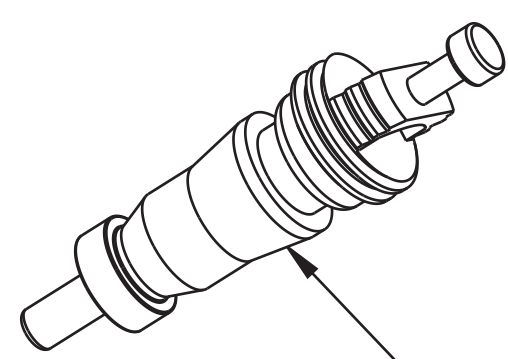
010-00-079
Air Valve Parts: Cap, Air Valve, [.305-32], Seatpost. V2

029-10-008
Seals: 2020 Marzocchi Z2 Air Knob, Red NBR 70

Top Cap

O-Ring

Air Valve Parts: Core, Eaton, Low pressure



FOX		FOX Factory, Inc.		Ph 831-768-1100
		130 Hangar Way, Watsonville, CA 95076 USA		Fax 831-768-9312
TITLE Assy Dwg, 2025 Transfer, Top Cap & Schrader Valve				
SIZE	DWG. NO.			
C				
PLOT SCALE	4:1	SHEET		1 OF 1

- PROPRIETARY -
THIS DOCUMENT CONTAINS CONFIDENTIAL, PROPRIETARY INFORMATION
THAT IS FOX PROPERTY. DO NOT DISCLOSE TO OR DUPLICATE
FOR OTHERS EXCEPT AS AUTHORIZED BY FOX.

4

3

2

1

ProE ASSEM